



DIGITAL WIRELESS TRANSMITTER

S-D7300-G8(Q)

DESCRIPTION

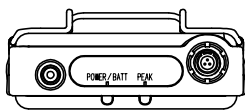
The S-D7300 is a UHF-band PLL synthesized two-piece wireless transmitter capable of transmitting high-quality digital audio signals

SPECIFICATIONS

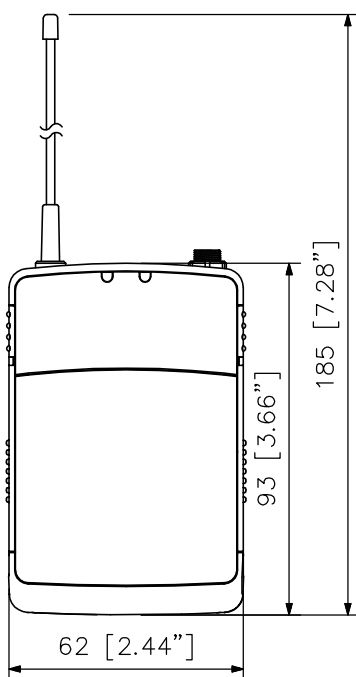
* 0 dB = 0.775 V

Frequency Range	606 - 638 MHz
Modulation System	PLL synthesized
RF Carrier Power	Less than 50 mW (Factory preset: 10 mW ERP)
Transmission Distance	100 m or more (open area)
Maximum Input Level	7 dB* (at gain of -27 dB)
Audio Frequency Response	20 Hz - 15 kHz (at "INST" setting) 30 Hz - 15 kHz (at "MIC" setting)
Antenna	Lambda/4 whip antenna
Modulation Type	Pi/4 shift DQPSK
Adjacent Channel Leakage Ratio	60 dB or more (± 375 kHz separation) 45 dB or more (± 250 kHz separation)
Audio Latency	4 ms or less (when using in conjunction with the optional S-D7802)
Audio Resolution	24 bits
Coding System	ADPCM (TRANTEC original)
Dynamic Range (AF Circuit)	Typ. 105 dB, A-weighted at THD=1 %
Total Harmonic Distortion	0.05 % or less (at 1 kHz/-3 dB* input)
Microphone/Musical Instrument Input	LEMO 3-pin connector
Occupied Bandwidth	165 kHz or less
ID Selectable	10 patterns
Battery	Two AA alkaline batteries
Battery Life	Approx. 5.5 hours (continuous use at 25 °C)
Operating Temperature	-10 °C to +50 °C (14 °F to 122 °F) (except batteries)
Operating Humidity	30 % to 85 %RH (no condensation)
Finish	Aluminum, silver, paint
Dimensions	62 (W) X 185 (H) X 27 (D) mm (2.44" X 7.28" X 1.06")
Weight	165 g (0.36 lb) (with batteries)
Accessory	Storage case...1, Screwdriver (for setting)...1

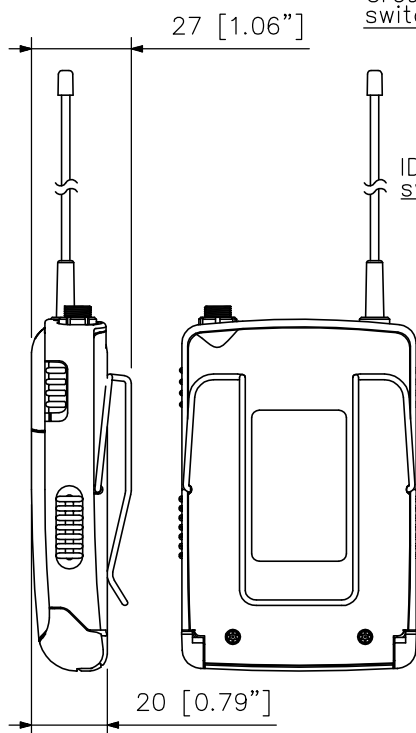
APPEARANCE



Top View

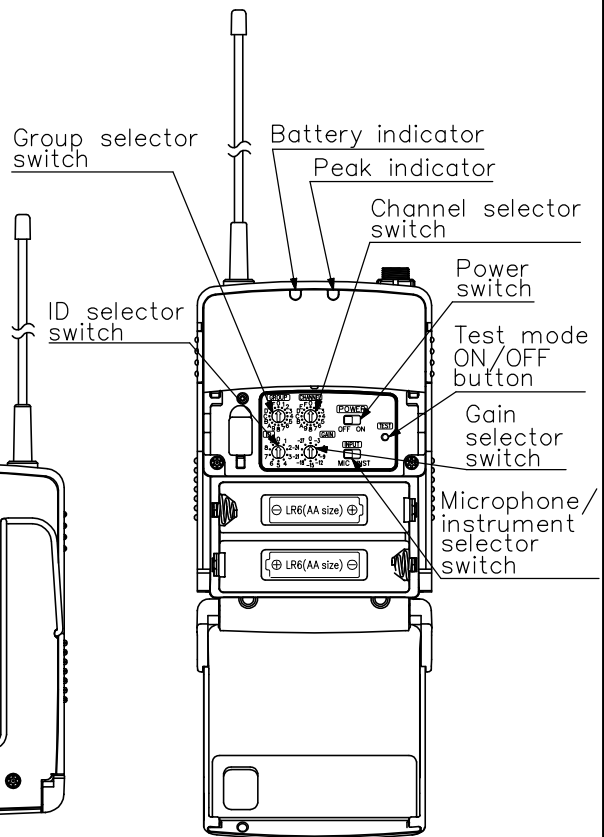


Front View



Side View

Rear View



Operation section (inside the battery case)

UNIT: mm SCALE: 1/2