

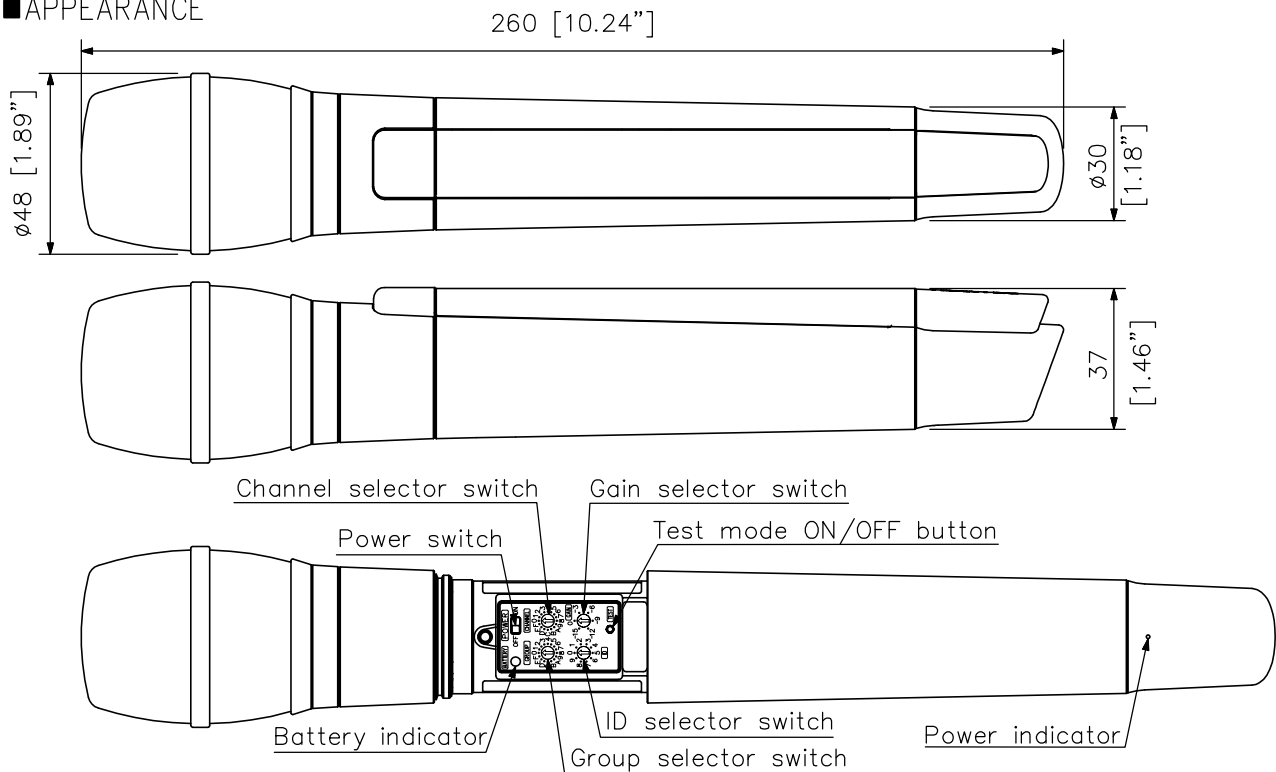
DESCRIPTION

The S-D7200 is a UHF-band PLL synthesized wireless microphone capable of transmitting high-quality digital audio signals. A built-in dynamic type microphone unit features robustness and high-quality sound.

SPECIFICATIONS

Microphone Element	Unidirectional moving-coil dynamic type
Frequency Range	606 - 638 MHz
Modulation System	PLL synthesized
RF Carrier Power	Less than 50 mW (Factory preset: 10 mW ERP)
Transmission Distance	100 m or more (open area)
Maximum Input Sound Pressure Level	142 dB SPL (at gain of -15 dB)
Audio Frequency Response	50 Hz - 15 kHz
Antenna	Built-in type (Internal helical antenna)
Modulation Type	Pi/4 shift DQPSK
Adjacent Channel Leakage Ratio	60 dB or more (± 375 kHz separation) 45 dB or more (± 250 kHz separation)
Audio Latency	4 ms or less (when using in conjunction with the optional S-D7802)
Audio Resolution	24 bits
Coding System	ADPCM (TRANTEC original)
Dynamic Range (AF Circuit)	Typ. 103 dB, A-weighted at THD=1 %
Total Harmonic Distortion	0.05 % or less (at 1 kHz/132 dB SPL input)
Occupied Bandwidth	165 kHz or less
ID Selectable	10 patterns
Battery	Two AA alkaline batteries
Battery Life	Approx. 5.5 hours (continuous use at 25 °C)
Operating Temperature	-10 °C to +50 °C (14 °F to 122 °F) (except batteries)
Operating Humidity	30 % to 85 %RH (no condensation)
Finish	Body: Aluminum, black, paint Head: Steel, black, paint
Dimensions	$\phi 48 \times 260$ mm ($\phi 1.89" \times 10.24"$)
Weight	340 g (0.75 lb) (with batteries)
Accessory	Storage case...1, Screwdriver (for setting)...1, Microphone holder...1

APPEARANCE



Operation section (inside the battery case)

UNIT:mm SCALE:1/2

Note: The battery compartment is located on the rear side.